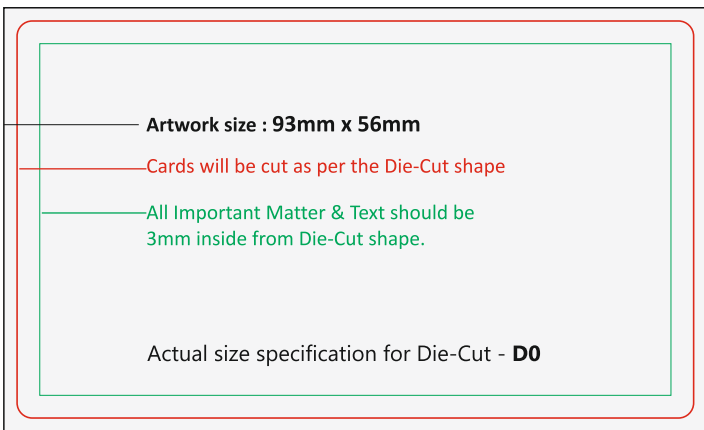
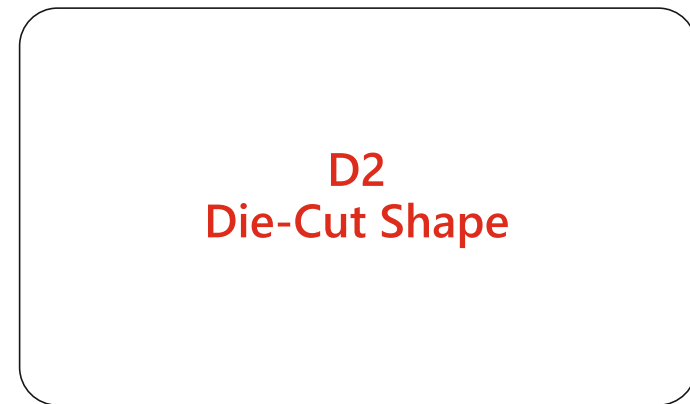
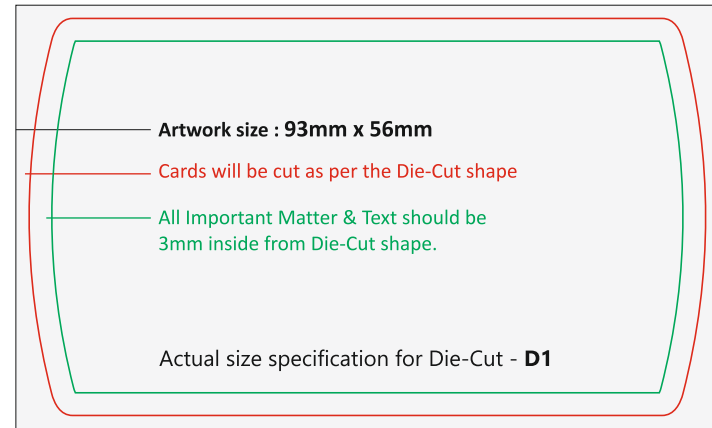




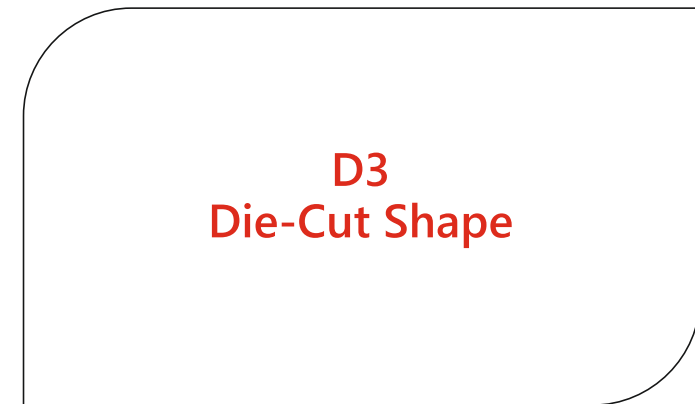
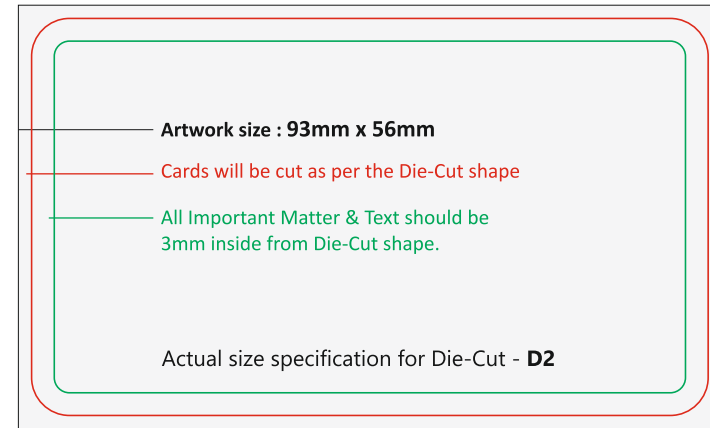
**D0  
Die-Cut Shape**



**D1  
Die-Cut Shape**

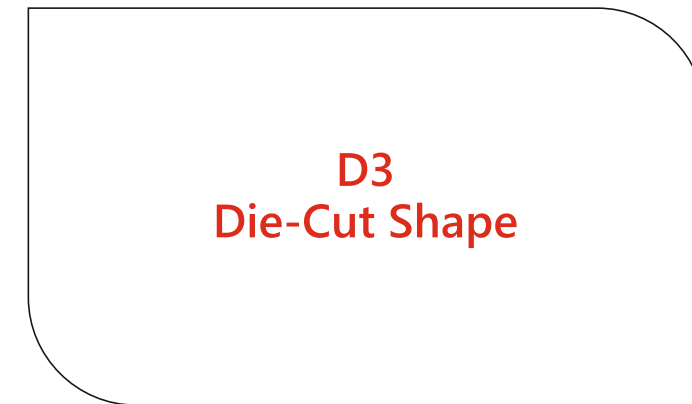
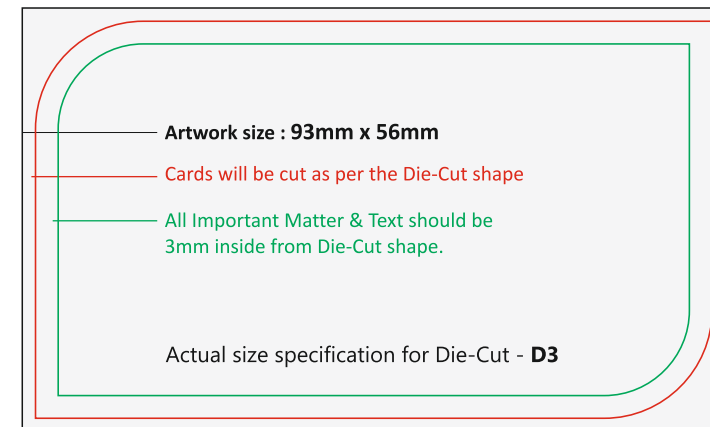


**D2  
Die-Cut Shape**



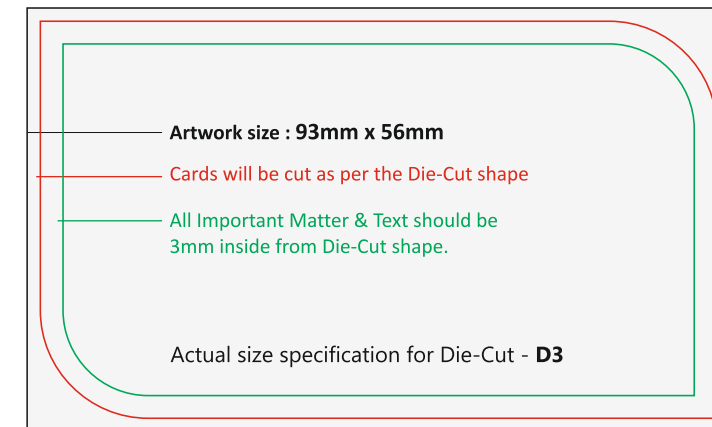
**D3  
Die-Cut Shape**

**Front**

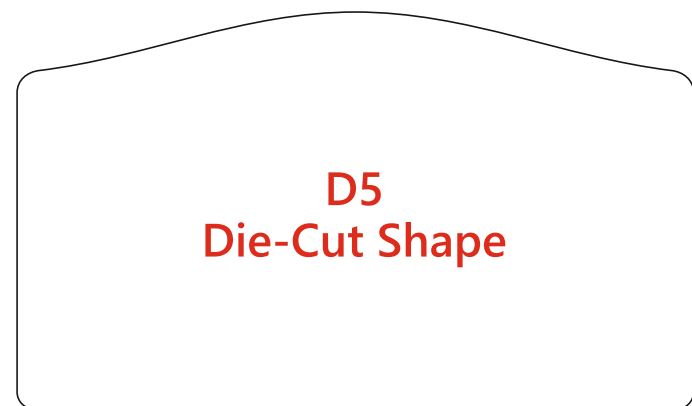


**D3  
Die-Cut Shape**

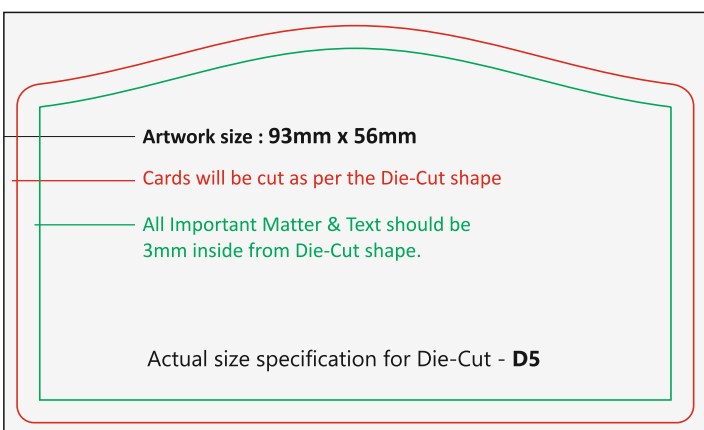
**Back**



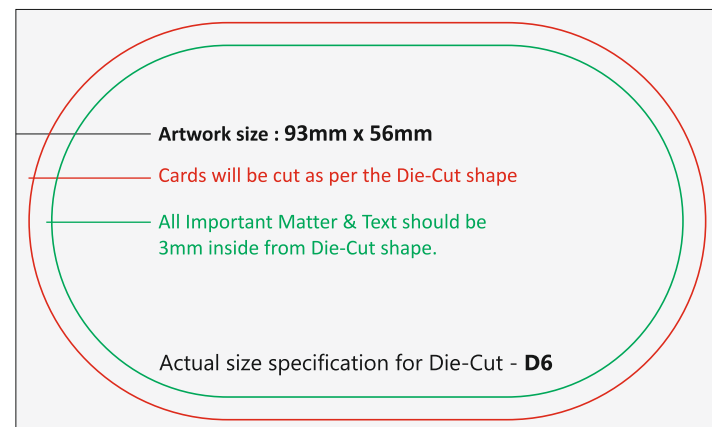
**For D3 & D4 Die-Cut Shape front & back shapes will be mirror(opposite) of each other**



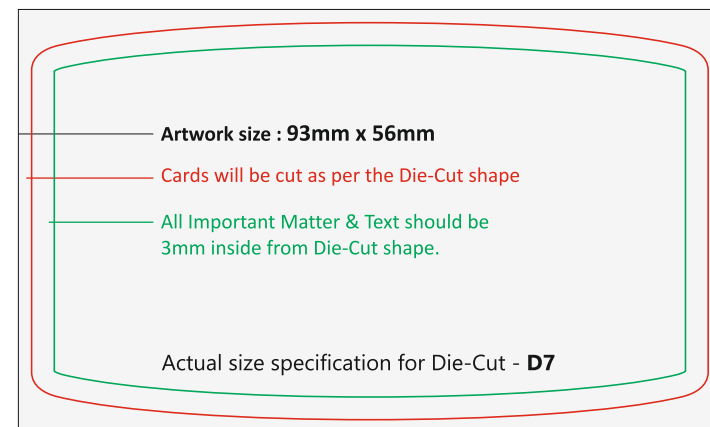
**D5  
Die-Cut Shape**



**D6  
Die-Cut Shape**

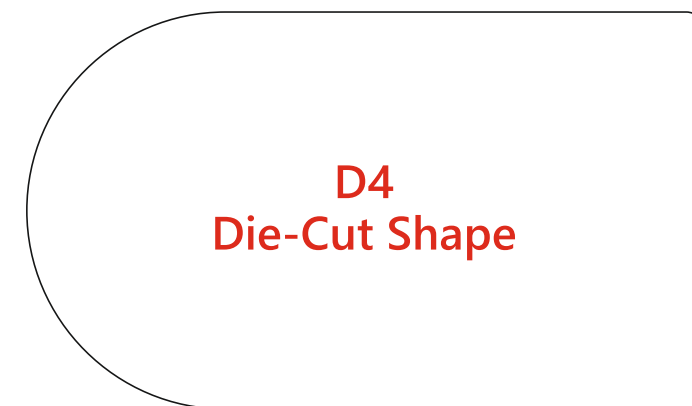
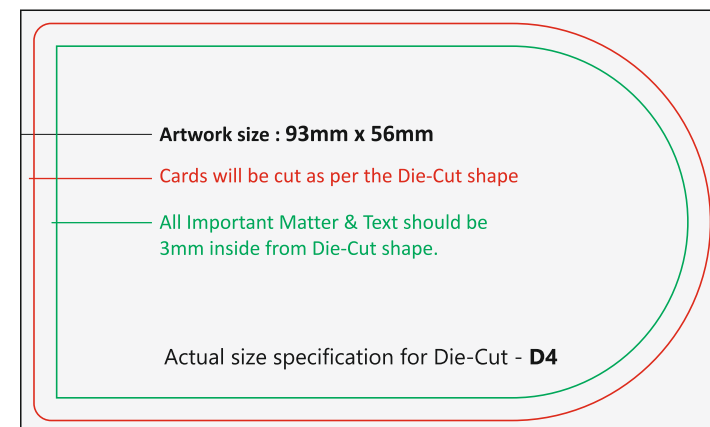


**D7  
Die-Cut Shape**



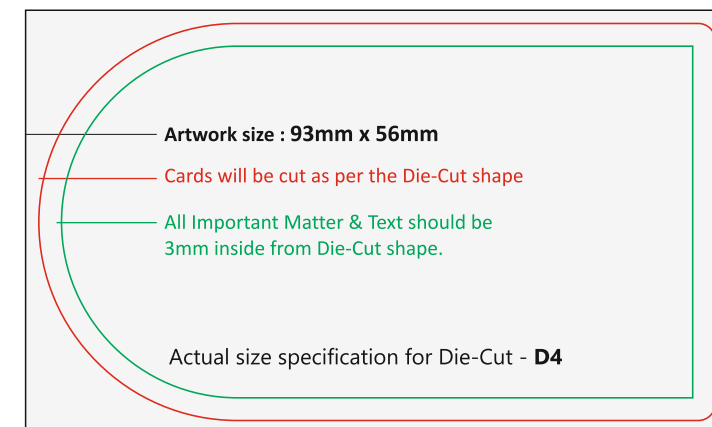
**D4  
Die-Cut Shape**

**Front**



**D4  
Die-Cut Shape**

**Back**



**For D3 & D4 Die-Cut Shape front & back shapes will be mirror(opposite) of each other**